



UNDER COUNTER FREEZER

Features

- CFC free refrigerant and foam insulation
- Electronic thermostat and digital LED temperature display for accurate control and easy reading
- Easy to mount 2.5" casters (lockable in front) are standard with all units
- Self-closing doors that remain open at 90 degrees
- Magnetic gasket can be replaced without any tools
- Adjustable, heavy-duty epoxy coated wire shelves (one per door)
- Stainless steel framework construction
- Auto defrosting and auto evaporation of condensation water
- Freezer door frames have integral factory installed heating element to eliminate condensation
- Interior: 304 stainless steel
- Exterior: 430 stainless steel
- R-290 Natural refrigerant
- Temperature: 0 to -10°F / -17 to -23 °C
- Electrical: 115/60/1 with NEMA 5-15P, 10ft cord



Intertek



Intertek



NEMA
5-15P



VUC28F

Units may not ship with exact handle pictured



VUC48F

Specifications

DESIGNED TO OPERATE IN AMBIENT TEMPERATURES BETWEEN 40F-90F FOR OPTIMUM PERFORMANCE.

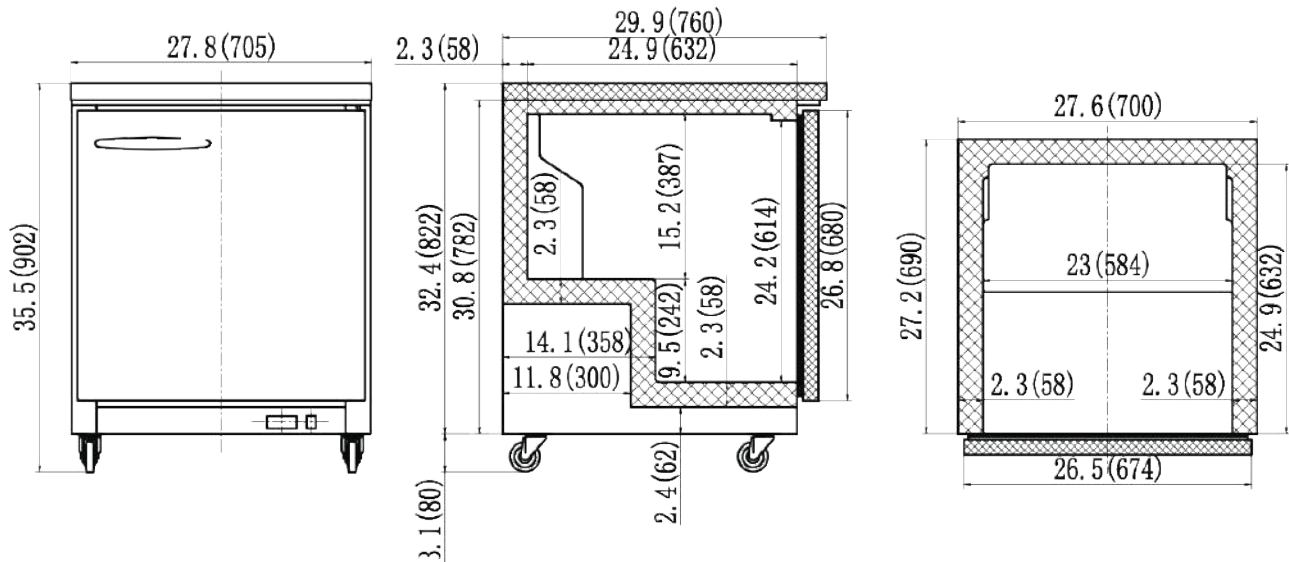
Model	Doors	Ext. Dimensions W X D X H (In)	Int.. Dimensions W X D X H (In)	Amps	H.P	Ship Weight
VUC28F	1	27.8 X 29.9 X 35.5	23.0 X 24.9 X 24.2	1.9	1/2	190 lbs
VUC48F	2	48.2 X 29.9 X 35.5	43.5 X 24.9 X 24.2	4	1/2	340 lbs



UNDER COUNTER FREEZER

Dimensions in inches (mm)

VUC28F



VUC48F

