



RANGES

Features

- The Volition gas ranges are available in three models, individual standing pilot, w/ static oven(s)
- 24" 4-burner, 1 static oven
- 36" 6-burner, 1 static oven
- 60", 6-burner w/24" – 1" griddle plate, 2 static ovens
- Simple manual thermostat controls
- Stainless steel front, back riser, & lift off shelf
- 30,000 BTU top burner (each), 30,000 BTU Oven
- Riser with removable shelf(s)
- 12" x 12" Cast iron grates
- Four (4) or Six (6) 6.2" Casters standard, adjustable legs are an option*
- 3 position oven rack; 2 racks per oven
- Full pull-out crumb tray
- Oven interior door, sides, hearth are porcelain coated
- **Available in Natural gas(NG) or Liquid propane(LP). A conversion kit is supplied with each unit**

*Adjustable legs require four (4) or six (6) individual legs



VR-4-24



VR-6-36



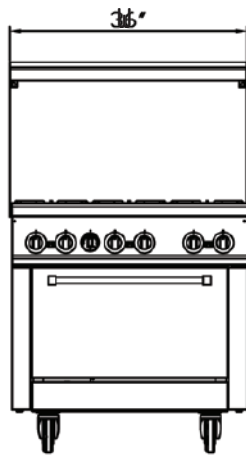
VR-6B-24MG-60



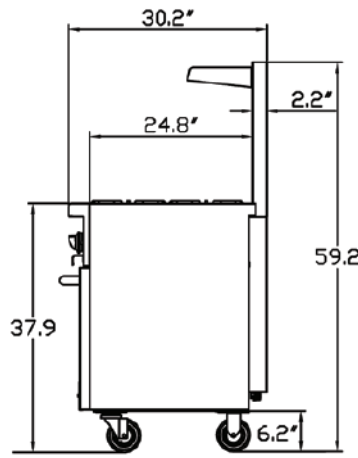


RANGES

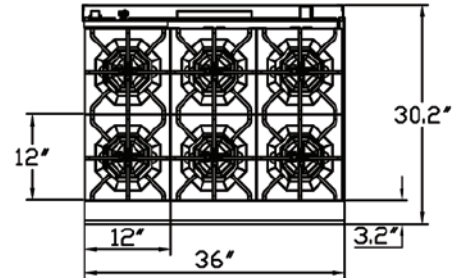
Dimensions in inches (mm)



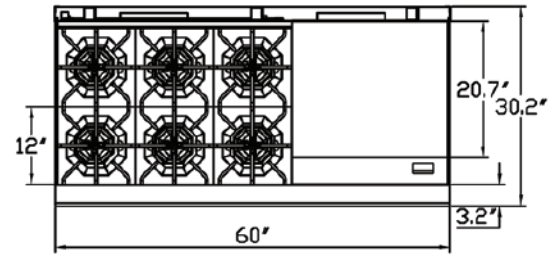
6 Burners Range Front View



Side View



6 Burners Range Top View



Griddle Range Top View

Specifications

Model	Description	Total BTU	KW	Overall Dimensions	Weight	Shipping Dimensions	Shipping Weight
VR-4-24	(4) Burners	153,000 NG	45	23.9"W x 30.2"D x 59.2"H	277 lbs	28.0"W x 37.0"D x 45"H	366 lbs
		136,000 LP	40	(61cm x 76.7cm x 150.4cm)	(126 kg)	(71cm x 94cm x 114cm)	(166kg)
VR-6-36	(6) Burners	213,000 NG	63	36"W x 30.2"D x 59.2"H	361 lbs	39.8"W x 37.0"D x 45"H	471 lbs
		190,000 LP	56	(91.4cm x 76.7cm x 150.4cm)	(164.0kg)	(101cm x 94cm x 114cm)	(214kg)
VR-6B-24MG-60	24"Griddle& (6)Burners (Manual Control)	306,000 NG	90	60"W x 30.2"D x 59.2"H	674 lbs	65.0"W x 37.0"D x 49"H	817 lbs
		272,000 LP	80	(152.4cm x 76.7cm x 150.4cm)	(306kg)	(165cm x 94cm x 125cm)	(371kg)

Oven inside dimensions

VR-4-24 19-3/4"W x 22-1/2"D x 18"H \ VR-6-36 26-1/2"W x 22-1/2"D x 18"H

Please Note: These items are shipped on a pallet and are crated for protection during LTL shipment.

GAS REQUIREMENTS

- Natural Gas or Liquid Propane (LP) Gas main supply required
- A conversion kit is supplied with each unit. In order to avoid any warranty issues, conversion of your unit must be completed by an authorized Ikon service agent
- 3/4" NPT gas connection
- 30,000 BTU's per burner
- One pilot light per burner
- Natural gas 4" W.C., LP gas 10" W.C.

