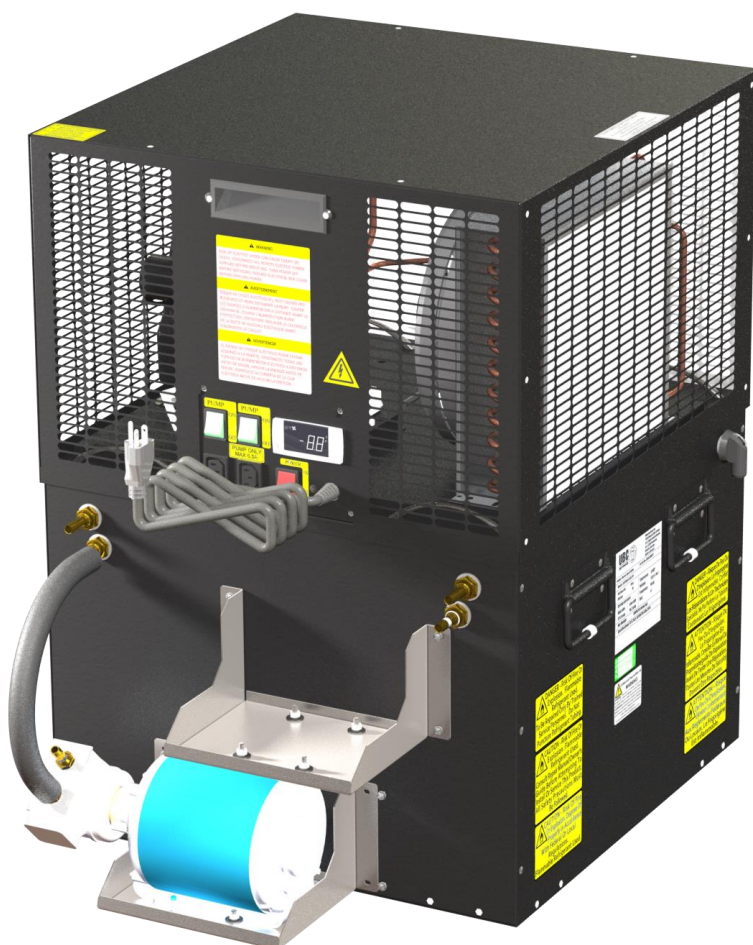


Glycol Chiller ChillPro 7500

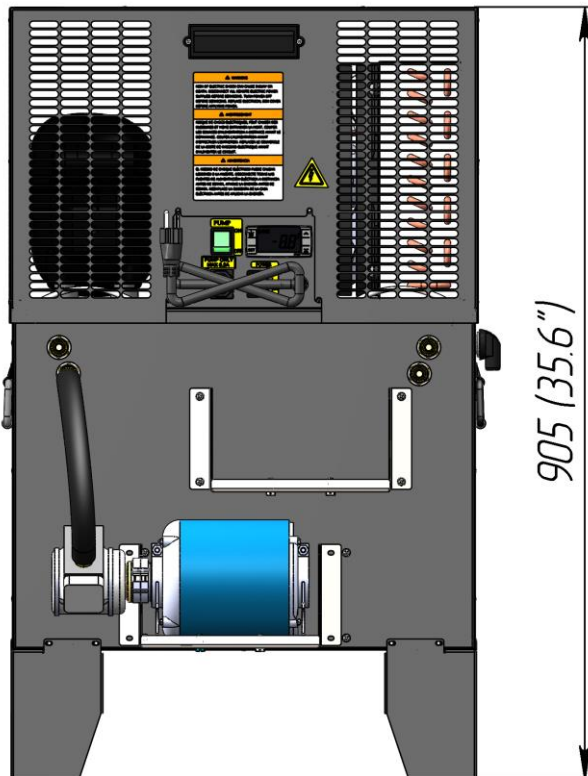
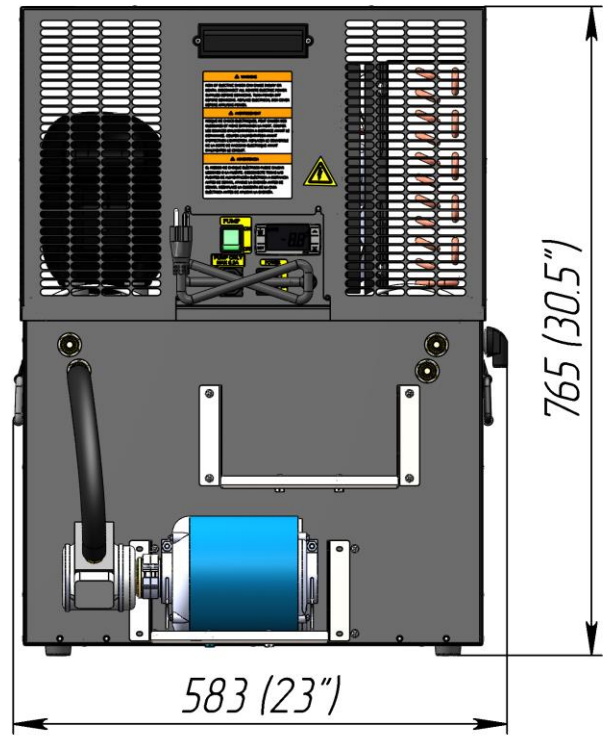
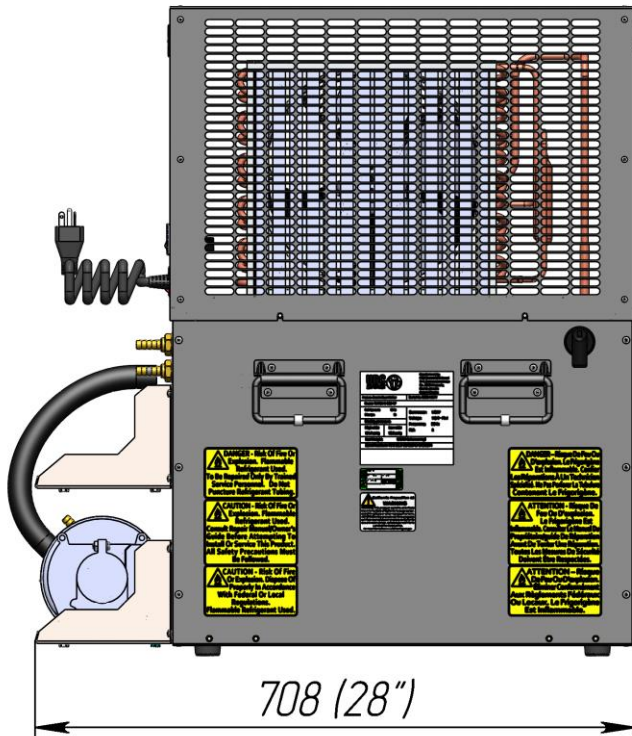
Specifications



Internal number	151.00.000.00-XX
Part number	CP7500
Maximum distance, ft	up to 450
Capacity, BTU/h, evap 20 °F	7500
Glycol tank capacity, gal	18
Compressor power, hp	1
Dedicated circuit, amp	20
Plug type (NEMA #)	6-20P (⚡)
Voltage, V / frequency, Hz	208-230 / 60
Dedicated circuit (Plug)	20 A
Pump type	Vane with 1/3 hp motor
Pump, GPH	80
Number of pre-installed pumps	1
Number of additional pumps	1
Refrigerant	R290
Width, in	28
Depth, in	23
Height, in	30.5 / 35.6 (on legs)
Weight gross/net, lb	146 / 139
Power cord length, ft	6
Inlet/Outlet barb, in	3/8
Operating ambient temperature, °F	60-90
Clearance at least	12" around the entire unit
Glycol mixture, vol%	40 % glycol and 60% water

Glycol Chiller ChillPro 7500

Overall dimensions



Glycol Chiller ChillPro 7500

Wiring diagram (Plug version)

