
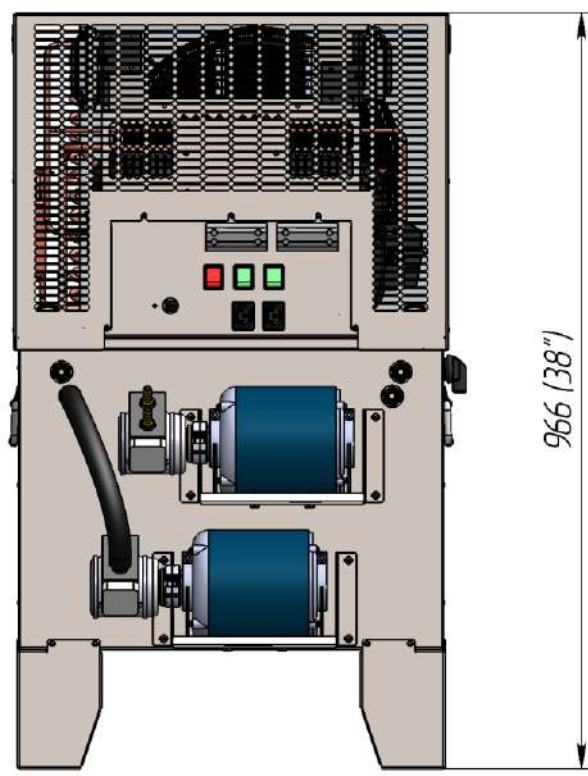
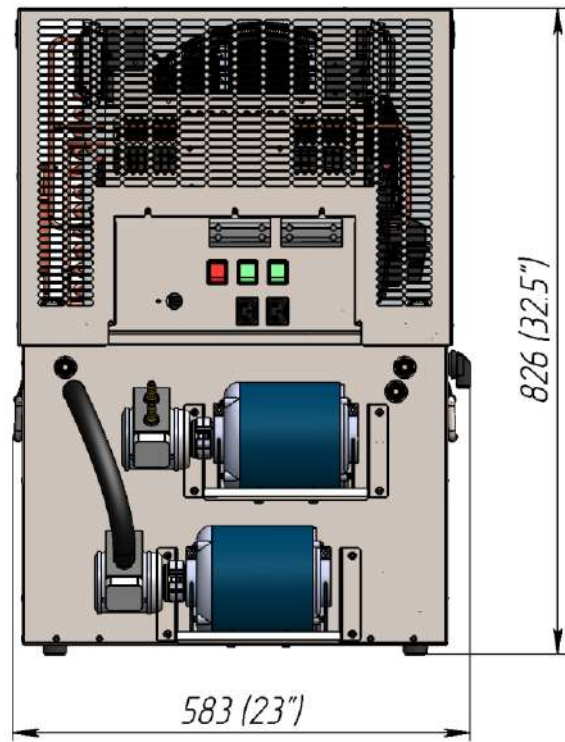
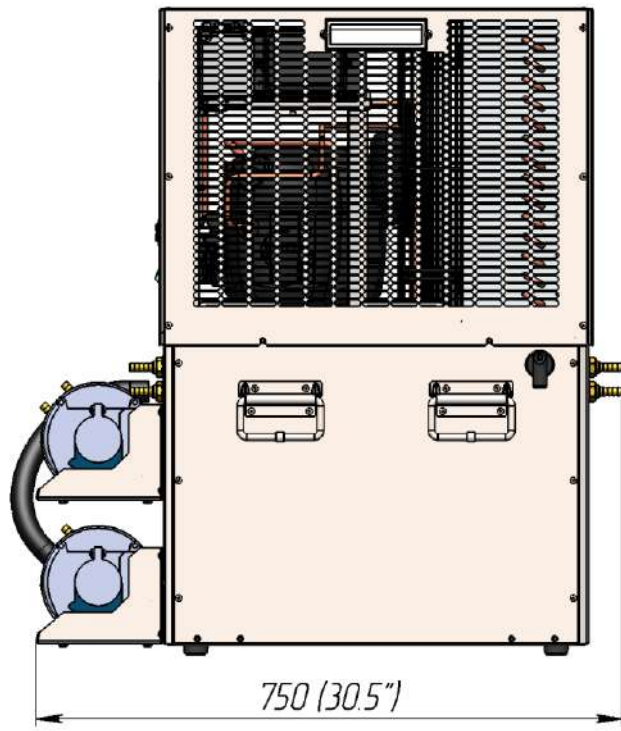


Specifications

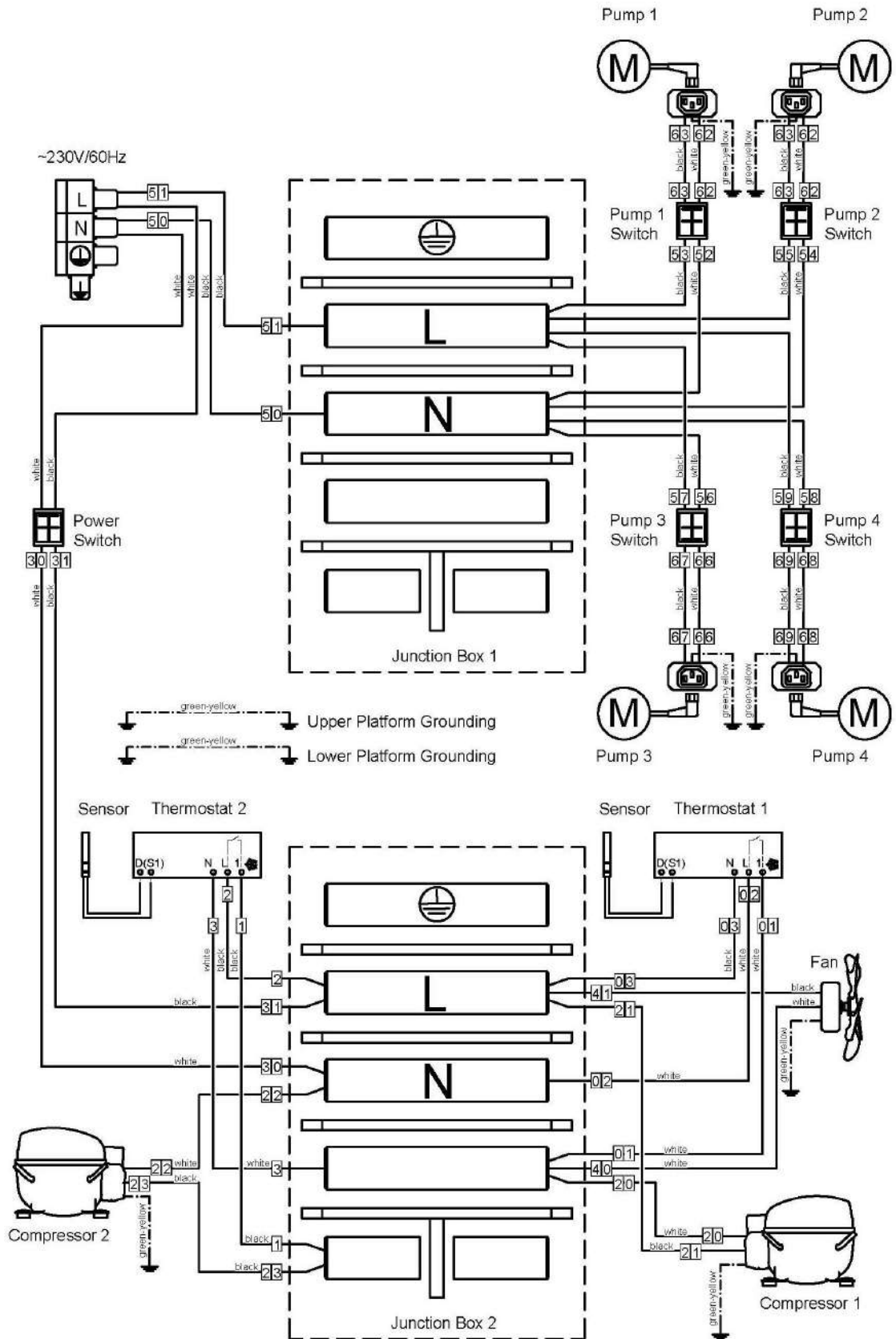


Internal number	027.00.000.00-XX
Part number	CP13000-2
Maximum distance, ft	up to 750
Capacity, BTU/h, evap 20 °F	13000
Glycol tank capacity, gal	18
Compressor power, hp	1 + 1
Dedicated circuit, amp	20
Plug type (NEMA #)	Hardwire or 6-20P 
Voltage, V / frequency, Hz	208-230 / 60
Dedicated circuit (Hardwire)	30 A
Dedicated circuit (Plug)	20 A
Pump type	Vane with 1/3 hp motor
Pump, GPH	80
Number of pre-installed pumps	2
Number of additional pumps	2
Refrigerant	R290
Width, in	30.5
Depth, in	23
Height, in	32.5 / 38 (on legs)
Weight gross/net, lb	260 / 220
Power cord length, ft	6
Inlet/Outlet barb, in	3/8
Operating ambient temperature, °F	60-90
Clearance at least	12" around the entire unit
Glycol mixture, vol%	40 % glycol and 60% water

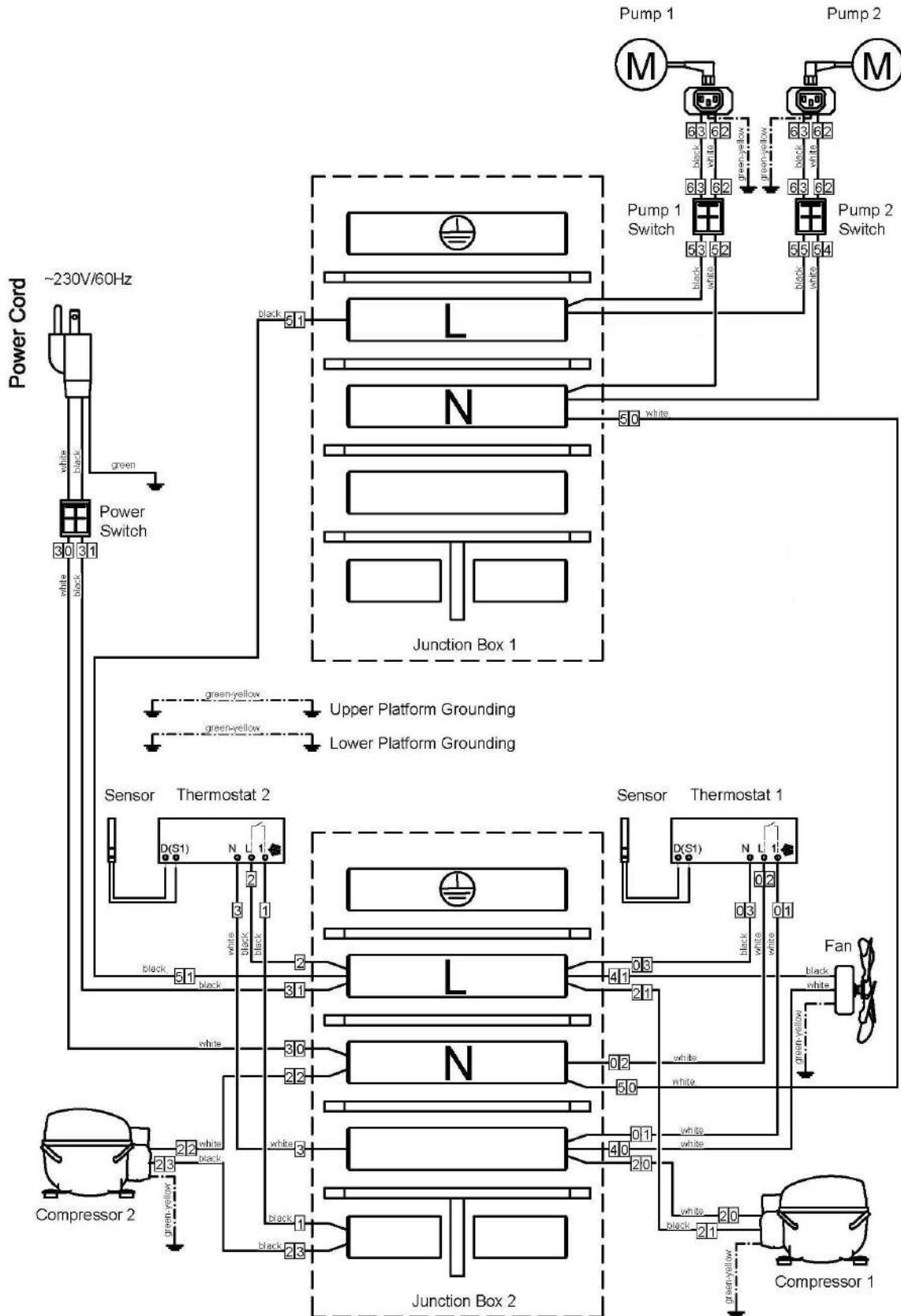
Overall dimensions



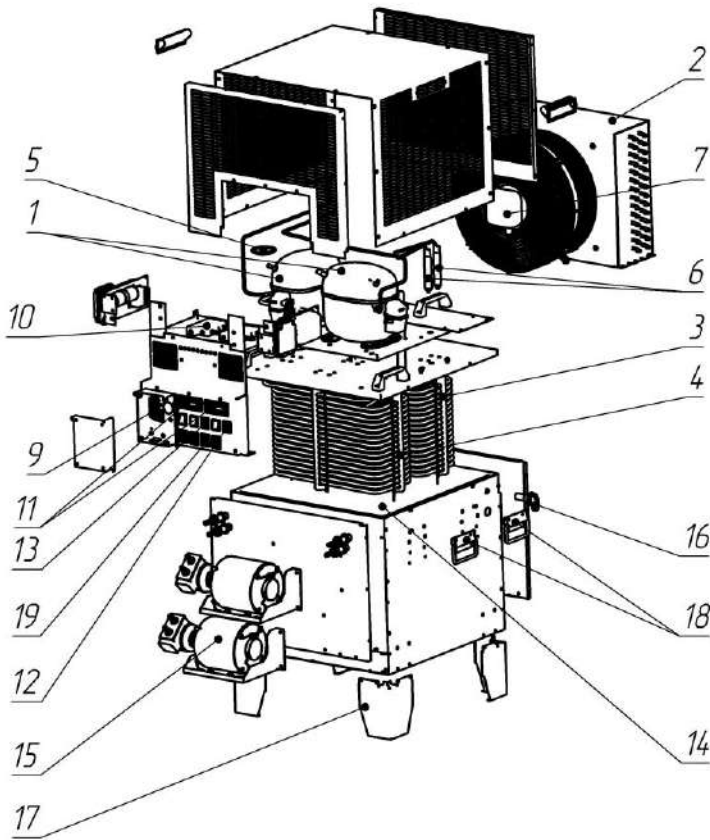
Wiring diagram (Hardwire version)



Wiring diagram (Plug version)



Parts



1	Compressor "SECOP" SCE18MNX 208-230 V/60Hz
2	Air condenser "KARYER" TFCA2F4P5470 C (390x494x195)
3	Evaporator #1
4	Evaporator #2
5	Cap
6	Filter-drier "DE-NA" GR-15 d6.1xd6.1xd2.5
7	Fan "WEIGUANG" YWF4E-350S
8	Capillary tube
9	Junction box "ITW ELETTRIGIBI" FV110B
10	Junction box "ITW ELETTRIGIBI" PA104
11	Thermostat "DANFOSS" ERC 111A
12	Power switch "ARCOLECTRIC" C6053ALBR (Red)
13	Power switch "ARCOLECTRIC" C6053ALBG (Green)
14	Glycol bath
15	Glycol pump «FLUID-O-TECH» PA 2501 or "PROCON" 102A080F11BA250, and motor "MARATHON" 5KH33GNA444X (200-240V, 50/60hz) or "UBC" YU250-4G01 (100-120V/200-240V-50/60hz)
16	Overflow
17	Foot
18	Handle
19	Connector R302SN 250V 10A