

E-Series Beer Dispensers

PROJECT:

ITEM NUMBER:

MODEL NUMBER:



BCBD4-2

BCBD3-2

SPECIFICATIONS FOR: BCBD4-2 and BCBD3-2

- **Exterior Finish:** Powder matted steel
- **Interior Finish:** 430 stainless steel
- **Insulation:** Polyurethane (CFC Free)
- **Hardware:** Adjustable product dividers supplied. 3" diameter stainless steel beer column, hinged doors, LED lighting
- **Electrical:** 115 volt, 60 Hz, 1 phase with cord and NEMA 5-15P plug.
- **Refrigeration:** CFC free refrigerant and foam with self-contained capillary tube system
R134A refrigerant.
Solid state thermostat with temperature range: +34°F to +38°F.
- **Approvals:** UL, C-UL Safety. Certified for ANSI/NSF7 Standards (US & Canada) **

STANDARD FEATURES

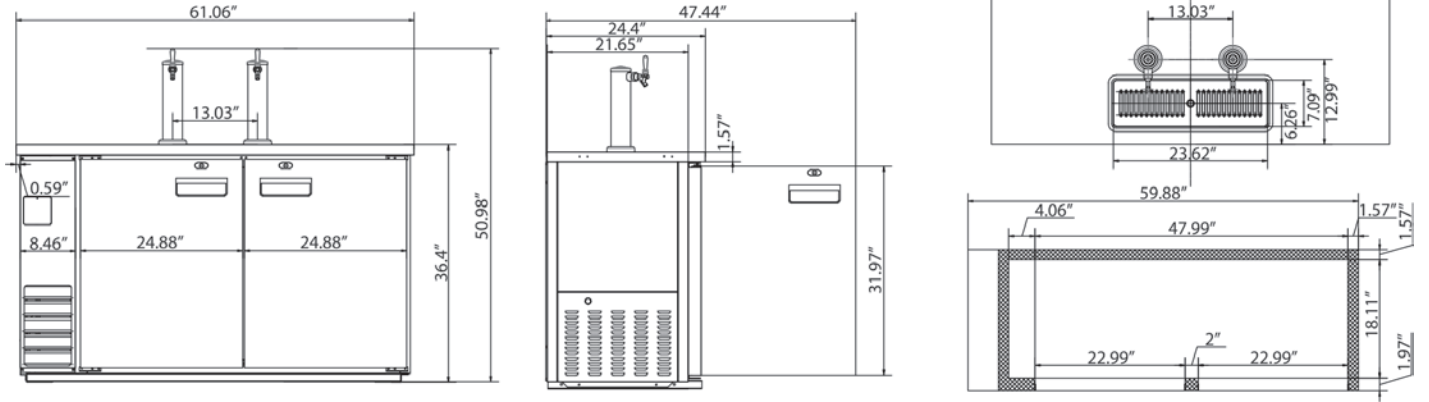
- Adjustable temperature control
- Cold air channeled directly into beer column
- Automatic defrost and condensate evaporator
- Powdered matted steel exterior
- Capillary tube system
- Durable stainless steel interior walls
- LED Lighting
- Stainless steel top
- Stainless steel interior floor
- Polyurethane (CFC free) insulation
- Solid state thermostat with digital display
- 3" diameter stainless steel insulated beer column
- Temperature range: +34°F to +38°F
- Epoxy coated product dividers
- 2 Year Parts & Labor, 3 Year Compressor Warranty
- UL, C-UL Safety and ANSI/NSF7 Standards (US & Canada) **

** C-UL is Underwriters Laboratories Safety Certification Mark which indicates that UL has tested the equipment to applicable CSA Standards.

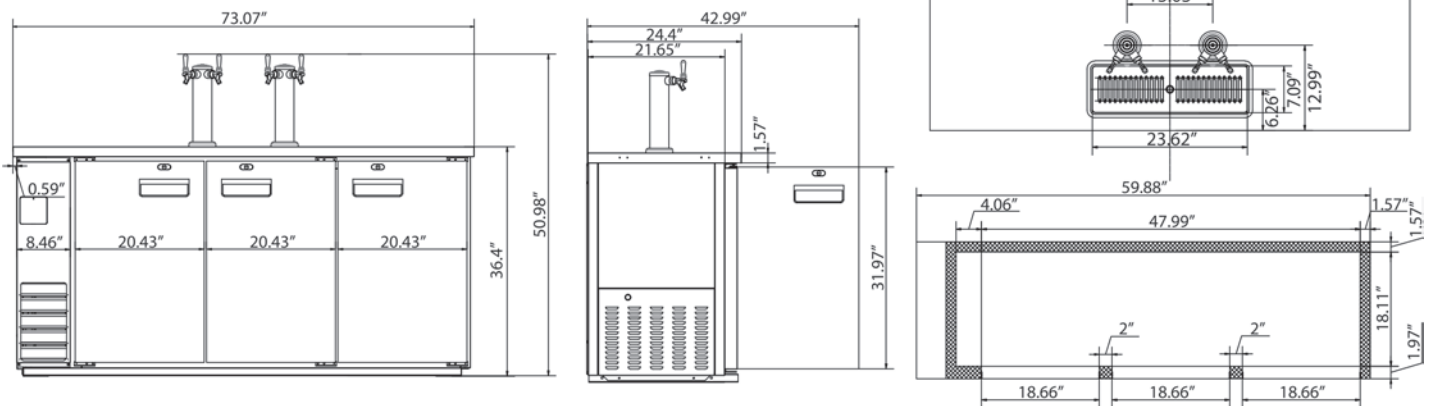
** UL Sanitation is Underwriters Laboratories Sanitation Mark which indicates that UL has tested the equipment to applicable NSF Standards.

** For listings and approval reference information please consult: <http://volitionrefrigeration.com/listings-reference/>

BCBD3-2



BCBD4-2



SPECIFICATIONS

Models	BCBD3-2	BCBD4-2
Crated Weight (lbs)	318	366
Height (in)	36.4	36.4
Width (in)	61.06	73.1
Depth (in)	24.4	24.4
Capacity	14.16	17.26
Number of Doors	2	3
Number of Faucets	2	4
Refrigerant	R134A	R134A
Electrical Characteristics	115/60/1	115/60/1
HP	2/5	1/5
NEMA Plug Configuration	5-15P	5-15P
Amp	3.2	3.5
Cord Length (ft)	8.2	8.2

Distributed by:

RAPIDS
Wholesale Foodservice Equipment

Rapids Wholesale Equipment
6201 S Gateway Dr.
Marion, IA 52302

Specifications subject to change without notice.