

VDD Series Direct Draw Beer Coolers



PROJECT:

ITEM NUMBER:

MODEL NUMBER:

SPECIFICATION FOR: VDD59, VDD69 and VDD95

- **Finish:** Heavy duty stainless steel top, black vinyl coated steel front, sides and back. Galvanized steel interior walls with stainless steel floor.
- **Insulation:** Foamed-in-place with 1-1/2" CFC free polyurethane insulation.
- **Hardware:** Solid doors with locks, magnetic door gaskets, plastic breaker strips around door openings to limit the formation of any condensation. Interior LED light. 3" diameter stainless steel draft towers. Heavy duty stainless steel threshold.
- **Electrical:** 115 volt, 60 Hz, 1 phase with cord and NEMA 5-15P plug
- **Refrigeration:** Self-contained forced air R-134a capillary tube refrigeration system.
Temperature range from +34°F to +38°F.
Draft towers cooled by continuous cold air circulation.
Adjustable temperature control.
- **Approvals:** ETL Sanitation listed, UL, C-UL Safety listed, approved to NSF standard for packaged food products **

STANDARD FEATURES

- Adjustable temperature control
- Stainless steel top
- Black vinyl steel front, sides and back
- Free flowing refrigeration system at all times to ensure uniformly cooled product
- LED interior light
- 3" diameter polished stainless steel draft tower
- 1 two-way gas manifold (VDD59 & VDD69),
1 four-way gas manifold (VDD95)
- Slide out condensing unit
- Temperature range: +34°F to +38°F
- 1 Year Parts & Labor, 5 Year Compressor Warranty
- ETL Sanitation listed, UL, C-UL Safety listed, approved to NSF standard for packaged food products **

WARRANTIES



Parts & Labor
*Optional 2nd year
can be purchased

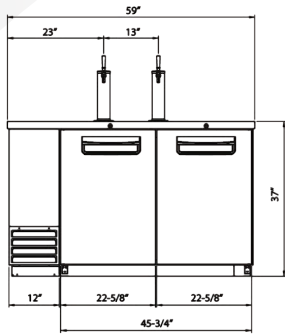


Compressor

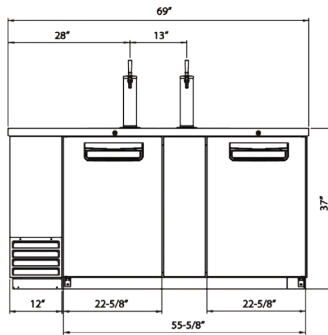
** C-UL is Underwriters Laboratories Safety Certification Mark which indicates that UL has tested the equipment to applicable CSA Standards.

** ETL Sanitation is Underwriters Laboratories Sanitation Mark which indicates that ETL has tested the equipment to applicable NSF Standards.

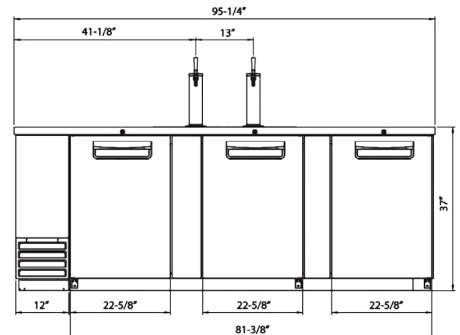
** For listings and approval reference information please consult: <http://volitionrefrigeration.com/listings-reference/>



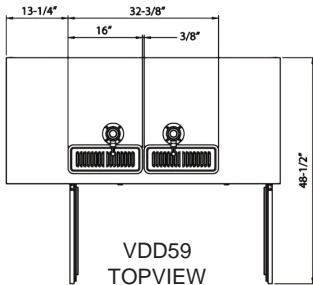
VDD59
FRONTVIEW



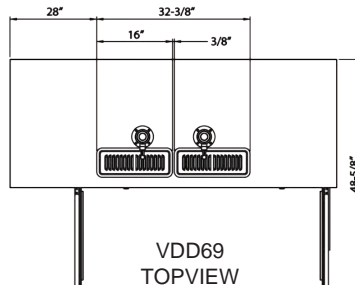
VDD69
FRONTVIEW



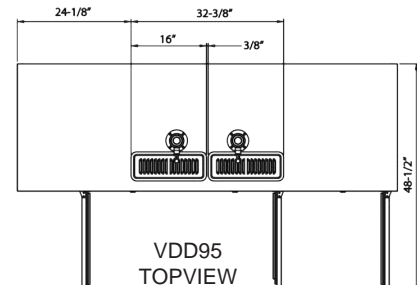
VDD95
FRONTVIEW



VDD59
TOPVIEW



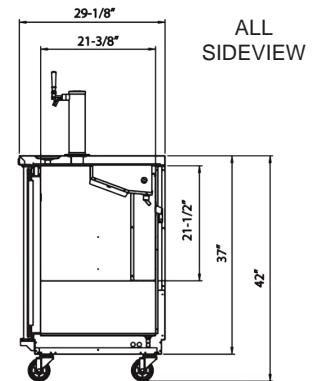
VDD69
TOPVIEW



VDD95
TOPVIEW

SPECIFICATIONS

Models	VDD59	VDD69	VDD95
Crated Weight (lbs) (kg)	276 (125)	298 (135)	460 (209)
Crated Height (in) (cm)	44 (112)	44 (112)	44 (112)
Crated Width (in) (cm)	61-1/2 (156)	71-1/4 (181)	97-5/8 (248)
Crated Depth (in) (cm)	30 (76)	30 (76)	30 (76)
Interior Height (in) (cm)	31-3/4 (81)	31-3/4 (81)	31-3/4 (81)
Interior Width (in) (cm)	54-3/4 (139)	64-3/4 (165)	91 (231)
Interior Depth (in) (cm)	21-3/8 (54)	21-3/8 (54)	21-3/8 (54)
Overall Height (in) (cm)	37 (94)	37 (94)	37 (94)
Overall Width (in) (cm)	59 (150)	69-1/8 (176)	95-1/4 (242)
Overall Depth (in) (cm)	29-1/8 (74)	29-1/8 (74)	29-1/8 (74)
Gross Cubage (CuFt) (L)	19.4 (549.3)	23.4 (662.6)	33.6 (951.4)
Number of Towers	2 single	2 single	2 double
Number of Kegs	2**	3	5
Condensing Unit Size	1/5 HP	1/5 HP	1/5 HP
Refrigerant	R-134a	R-134a	R-134a
Electrical Characteristics	115/60/1	115/60/1	115/60/1
Cord & Plug Furnished	Yes	Yes	Yes
NEMA Plug Configuration	5-15P	5-15P	5-15P
Total Amp Draw	3.3	5.0	6.3



OPTIONAL ACCESSORIES

- Additional 2nd year parts & labor warranty
- Caster Kits
- Floor Protection Kit

Distributed by:



Rapids Wholesale Equipment
6201 S Gateway Dr.
Marion, IA 52302

Specifications subject to change without notice.

** The VDD59 will hold (2) 1/2 barrel kegs and (1) slim quarter barrel.